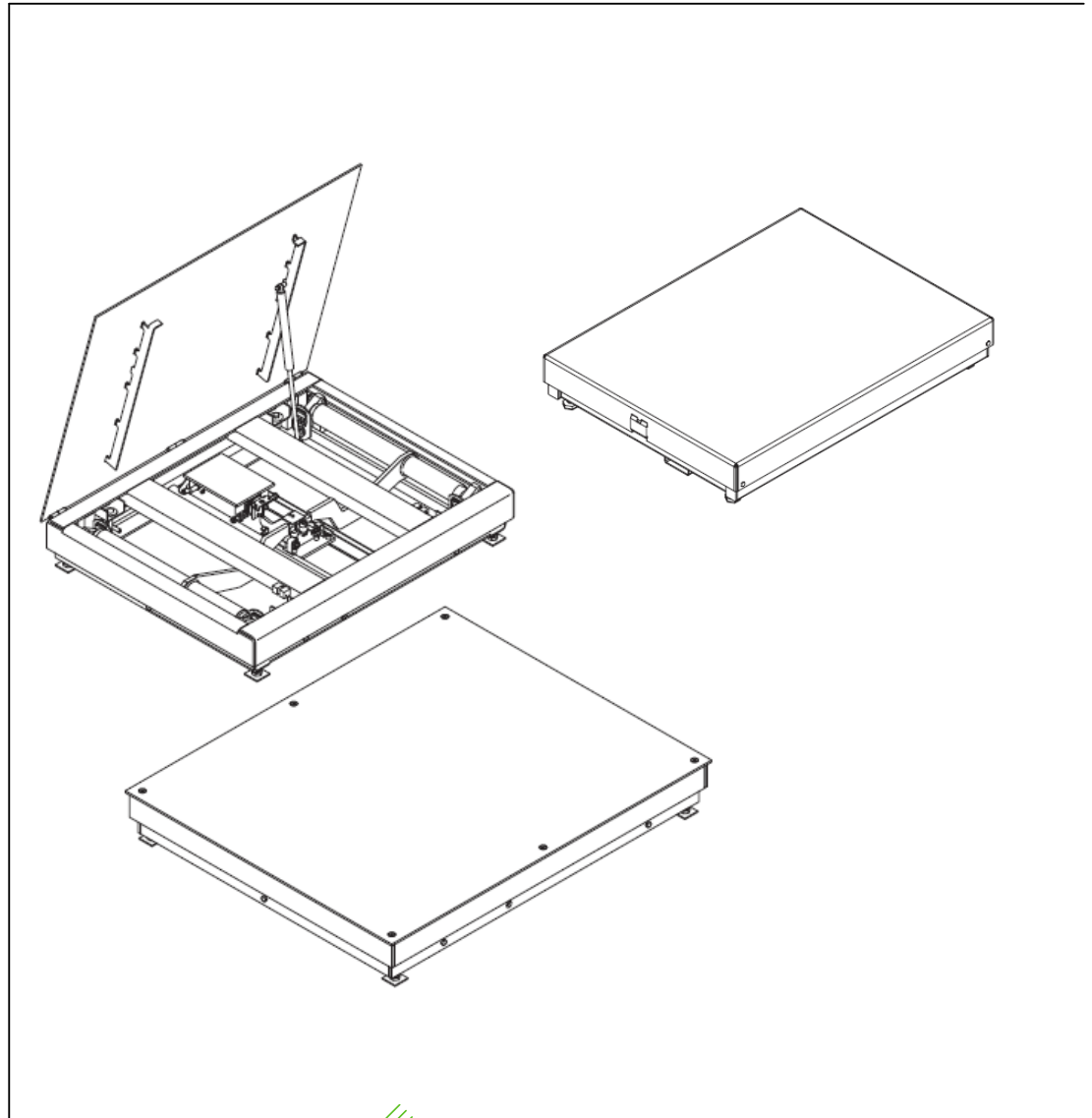


## Bulletin PBK9 – PFK9 series

Installation of high resolution platforms with the following readabilities:

- 30.000e ETO
- 60.000d / 75.000d
- 240.000d / 300.000d
- 600.000d / 750.000d



**For high resolution PBK9 / PFK9 platforms please consider the following procedure while installing the platform:**

- Follow the installation instructions as described in the related installation information  
 PBK9 bench platforms: 30233011, 30233012, 30233013  
 PFK9 floor platforms: 30233014, 30233015, 30233016
- After the proper installation of the platform at the intended place of use, please connect the platform to the terminal and power-on
- Warm-up time: 30 minutes.
  - o Please do not unplug the platform
  - o Please do not perform any adjustment or test during the warm-up phase
- Perform an internal adjustment (after warm-up time) as described:
  - o Procedure with SICSpro terminals:
    - Disable
      - FACT  
Menu: scale > FACT > disable all settings
      - power-up adjustment  
Menu: scale > Linear. & Calib. > start-up int.cal. > off
    - SW 01.10.03  
Menu: scale > Linear. & Calib. > Int. calibration
    - SW < 01.10.03  
Menu: scale > Linear. & Calib. > Ext. calibration > wait until "set preload" is prompted > ESC (escape calibration) > Exit the scale menu with SAVE
  - o Procedure with ACC409xx
 

RETURN ?	No
RESET ?	No
NATION ?	No
SCALE PARAMETERS ?	No
LINEARITY ?	No
CALIBRATION ?	YES
CAL INTERNAL ?	YES
SET PRELOAD	YES
--CALIBRATION--	
CAL EXTERNAL ?	NO
ADAPTION ?	NO
SOFTWARE INFO?	NO
SAVE PARAMETERS ?	YES